

Constant Current LED Power Supply

SLT20-350IF-2S

SLT20-700IF-2S



Product description:

This type of power supply is an exclusively designed stabilized power supply for LED lamp. With constant current (CC) technology, it is suitable for constant current lamps (350/700mA) connected in a series.

The built-in protection circuit will shut down the power supply in case of such faults as: open circuit, short circuit, over load or over temperature. The power supply will restart automatically after fault correction.

Standards:

EN61347-1
 EN61347-2-13
 EN61547
 EN55015
 EN61000-3-2
 EN61000-3-3
 EN62384
 EN62493

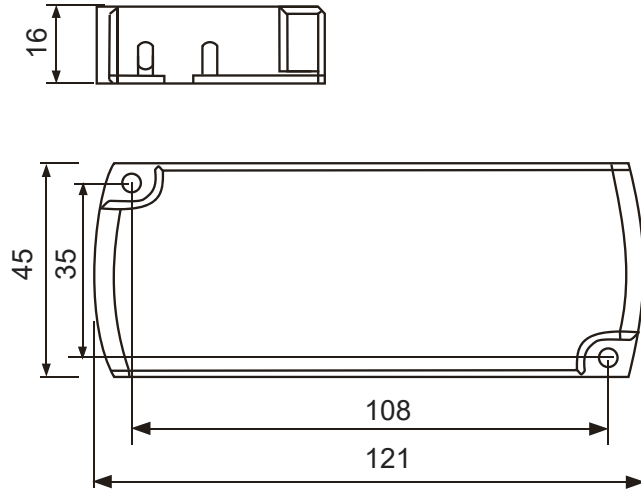
Characteristics:

- Independent power supply for constant current LED lamp
- Special design screw terminal for field connection
- Mini DC socket at the secondary side for quick connection
- Class II protection against electric shock from direct and indirect contact
- SELV output
- Open circuit, short circuit, over load and over temperature protection
- Auto restart after fault conditions removal
- Efficiency $\geq 80\%$ (AC230V, full load)

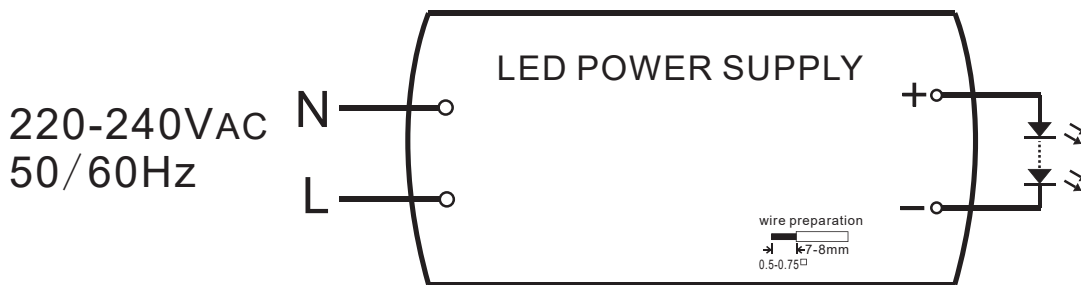
Specifications:

Model		SLT20-350IF-2S	SLT20-700IF-2S
Output	turn on time(S)	≤0.5	≤0.5
	output current(mA)	350	700
	output current tolerance ^①	+/-5%	+/-5%
	ripple current(%)	3%	3%
	working voltage range(V)	6-56	6-29
	Max. output voltage(V)	59	40
	dimming interface	No	
	dimming range	n/a	
Input	rated supply voltage(Vac)	220-240	220-240
	voltage range(Vac)	198-264	198-264
	line frequency(Hz)	50/60	50/60
	input current(mA)	130	130
	efficiency ^②	≥80%@full load	≥79%@full load
	power factor ^②	≥0.85C	≥0.85C
	inrush current(lpk)	pending	pending
Protection	over voltage protection	YES	YES
	short circuit protection	YES	YES
	over temperature protection	YES	YES
	automatic restart	YES	YES
	over load protection	YES	YES
	surge capacity	L-N: 500V	L-N: 500V
Ambient and Life	Ta(°C)	-20...45	
	Tc max. (°C)	90	
	Storage Temperature(°C)	-30...85	
	ambient humidity range	5%...85%, Not condensing	
	nominal life-time(hrs)	30000	
Other	weight(g)	pending	
	dimensions (LxWxH)(mm)	121x45x16	
	casing material	Plastic	
	housing colour	White+Blue	
	type of protection	IP20	
	protection class	ClassII	
Note	<p>1.Tolerance : includes set up tolerance, line regulation and load regulation. 2.Tested at full load,230Vac.Refer to"Power Factor" and "EFFICIENT"curve graphs. 3.All parameters NOT specially mentioned are measured at nominal voltage input, rated load and 25 of ambient temperature. 4.The power supply is considered as a component that will be operated in combination with final equipment. Since EMC performance will be affected by the complete installation, the final equipment manufacturers must re-qualify EMC Directive on the complete installation again.</p>		

Dimensions(mm):



Wiring diagram:



Sales & Technical Support:

Self Electronics Co.,Ltd.

Add: No. 1345 JuXian Road, Ningbo Hi Tech Park, Ningbo, China 315103

Phone: +86-574-2880-5765, +86-574-2880-5658 (for English assistance)

+86-574-2880-5678 (for Chinese assistance)

Fax: +86-574-28805656

E-mail: sales@self-electronics.com

<http://www.self-electronics.com>

Self Electronics Co.,Ltd.,Shenzhen Office

Add: Room2007, Xinglang Xuan, Xinghe Mingju, Fuming

Road, Futian District, Shenzhen

Tel: 0086-755-83558850, 83558851

Fax: 0086-755-83558840

SELF ELECTRONICS GERMANY GMBH

Add: August-Horch-Str. 7, 51149 Cologne

Phone: +492203-18501-0

Fax: 492203-18501-199

E-mail: saleseu@self-electronics.com

*Due to continuous improvements and innovations, specifications are subjected to change without notice.